

# N9.510 CR2

## Specifications

Power at crankshaft	373 kW [507 hp]
Displacement	9 l [549 in <sup>3</sup> ]
Configuration	6 cylinders in line
Operation type	4 stroke Diesel
Bore & Stroke	118.4 x 136 mm [4.66 x 5.35 in]
Compression ratio	16,3:1
Rated speed	2400 rpm
Idling speed	650 rpm
Peak torque	1874.7 Nm
Peak torque speed	1900 rpm
Dry weight	948 kg [2089 lbs]

Engine base	John Deere
Fuel system	Direct injection High pressure Common Rail Electronically controlled
Air intake	Turbocharged Air-to-seawater aftercooler
Cooling	Closed cooling with heat exchanger
Max mounting angle	0° Front up 12° Front down
Alternator	24 Volt 100 Amp
Rating	M4
Emission compliance	IMO Annex VI compliant EPA marine Tier 3 NRMM 97/68/EC

# N9.510 CR2

373 kW [507 hp] at 2400 rpm

## TECHNICAL DESCRIPTION

### Engine block

- Replaceable wet-type cylinder liners
- 4 valves per cylinder
- Watercooled exhaust manifold

### Fuel system

- Primary & secondary fuel filter
- Common Rail fuel injection system

### Lubrication system

- Replaceable full-flow oil filter
- Oil dipstick
- Oil cooler

### Cooling system

- Closed cooling with heat exchanger
- Gear driven self-priming raw water pump
- Coolant circulating pump
- Water cooled exhaust elbow

### Electrical system & Instrumentation

- 24V 100A alternator
- 24 Volt starter motor
- Complete instrumentation including key switch and alarms
- Extension cable harness with plug-in connection

### Air intake

- Water cooled turbocharger
- Air-to-seawater aftercooler

### Other features

- Flywheel SAE 2
- Damper pulley
- Flexible engine mounting

## Optional equipment & accessories

- Keel cooling adaptation
- Dry exhaust elbow
- Complete marine propulsion systems
- Marine transmission adaptation kits
- Throttle and shift controls
- Additional instrumentation, Flying bridge extension harness
- Rigid engine mounting
- Power take off
- Type approval

## RATING

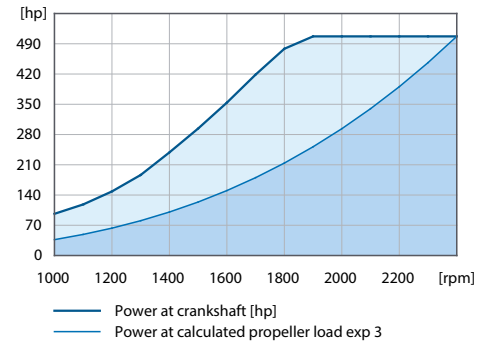
- Up to 3000 annual operating hours
- Load factor up to 40%
- Full power for no more than 1 hour out of each 12 hours of operation. The remaining operation time must be at or below cruising speed

## TRANSMISSIONS

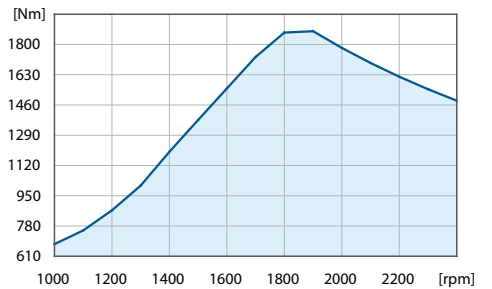
Contact your local dealer for more details and availability for transmission model and type.

## PERFORMANCE CURVES

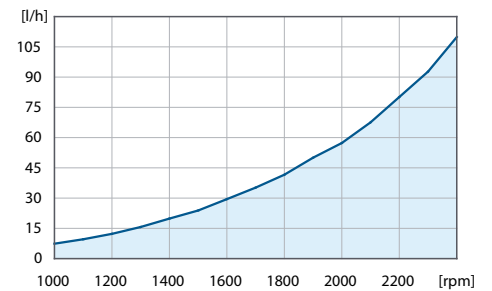
### Power at crankshaft



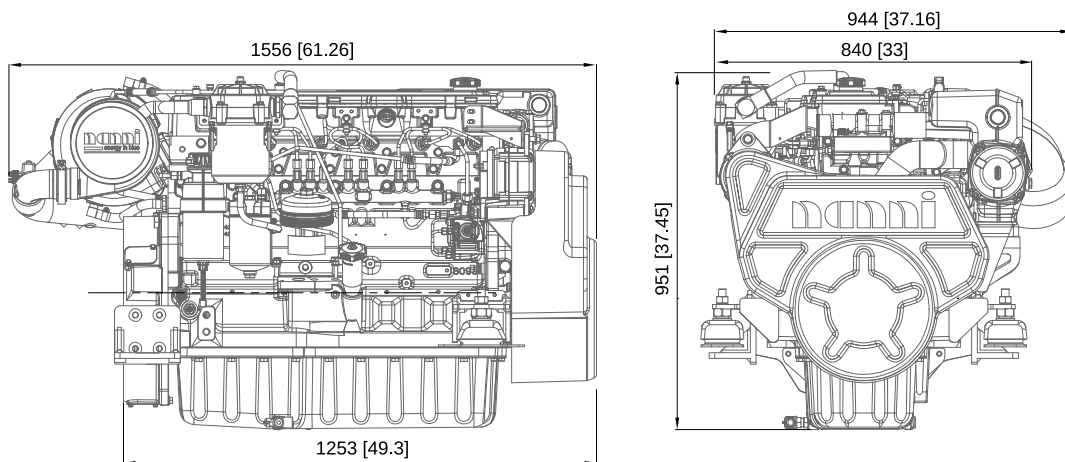
### Torque at crankshaft



### Fuel consumption



## DIMENSIONS BOBTAIL



**Nanni Industries S.A.S. France**  
11, Avenue Mariotte - Zone Industrielle  
33260 La Teste - France  
Tel: +33 (0)5 56 22 30 60  
Fax: +33 (0)5 56 22 30 79

**Nanni Trading S.R.L.**  
Via Degli Olmetti, 5/B  
00060 Formello (RM) - Italia  
Tel: +39 06 30 88 42 51/52/53  
Fax: +39 06 30 88 42 54

Technical data according to ISO 8665. Specifications are subject to change without notice. Images and illustrations may show non standard equipments. All combination of equipment & accessory are not available.

20151118-A ENG