


# MARINE GENERATING SETS

MADE IN GERMANY 



IMO TIER II

IMO TIER III + SCR-SYSTEM

RADIATOR COOLED

## LINDENBERG ECO-LINE

**Best Performance in Price & Design**

More than 70 years of experience in high-quality engineering Made in Germany, combined in our ECO-Line

Choice of Gensets, in the usual power ranges

# SOLUTIONS MARINE

MADE IN GERMANY 



## ECO-LINE BENEFITS

- Proven reliability in more than 70 years
- Made in Germany
- Efficiency, low emissions, exhaust gas treatment
- Choice of Gensets, in the usual power ranges
- German engineering, inhouse designed

## STANDARDS

Engine and alternator mounted on common base frame

- Flexible coupled
- Main- and Auxiliary Sets with Heat Exchanger and Seawater pump
- Radiator cooled Emergency Sets
- Electric and / or Air starting system
- Equipped with alarm and control system inhouse designed

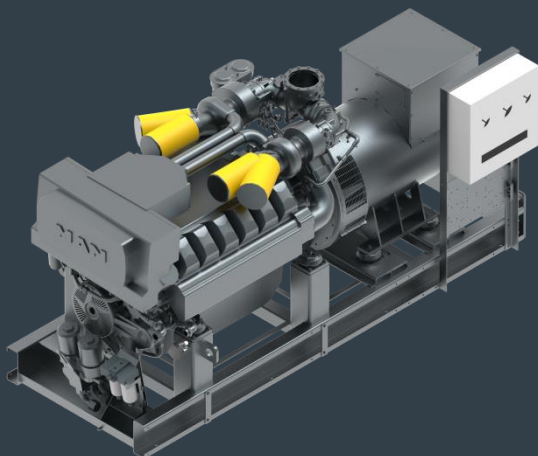
**For Customized Solutions and Options,  
please contact our Sales Team.**

**[www.liag.de](http://www.liag.de)**

Rating*		appr. Dimension	appr. Weight	LIAG Type
50Hz	60Hz	LxWxH		
188 kWe	188 kWe	2400x1200x1500 mm	2350 kg	LMR 190
200 kWe	200 kWe	2450x1200x1500 mm	2400 kg	LMR 200
250 kWe	250 kWe	2500x1200x1500 mm	2550 kg	LMR 250
250 kWe	300 kWe	2600x1200x1500 mm	2600 kg	LMR 250
300 kWe	350 kWe	2800x1300x1500 mm	2850 kg	LMR 300
345 kWe	400 kWe	2850x1300x1500 mm	3050 kg	LMR 345
400 kWe	400 kWe	2900x1300x1500 mm	3150 kg	LMR 400
404 kWe	440 kWe	2800x1400x1600 mm	3800 kg	LMR 404
423 kWe	480 kWe	2850x1400x1600 mm	3890 kg	LMR 423
450 kWe	520 kWe	2900x1400x1600 mm	4050 kg	LMR 450
480 kWe	560 kWe	2950x1400x1600 mm	4100 kg	LMR 480
500 kWe	600 kWe	3100x1400x1600 mm	4150 kg	LMR 500
570 kWe	665 kWe	3300x1450x1500 mm	4900 kg	LMR 570
665 kWe	760 kWe	3450x1450x1500 mm	5250 kg	LMR 665

**IMO TIER II**

\* Ratings: Genset ratings depends on ambient conditions (Marine Standard 45°C) and alternator data. Subject to change without notice



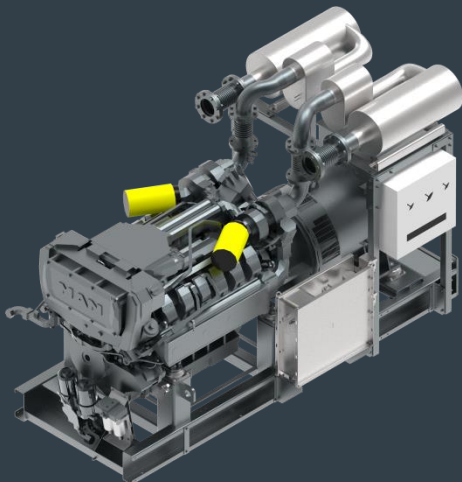
## GREEN LINE

### MAIN- / AUXILIARY GENSETS

Rating*		appr. Dimension	appr. Weight	LIAG Type
50Hz	60Hz	LxWxH		
253 kWe	268 kWe	2600x1300x1500 mm	2850 kg	LMG 253
268 kWe	304 kWe	2650x1300x1500 mm	2900 kg	LMG 268
307 kWe	355 kWe	2800x1300x1500 mm	3050 kg	LMG 307
355 kWe	405 kWe	2850x1300x1500 mm	3100 kg	LMG 355
405 kWe	405 kWe	2900x1300x1500 mm	3150 kg	LMG 405
409 kWe	445 kWe	2800x1400x1600 mm	3750 kg	LMG 409
430 kWe	488 kWe	2850x1400x1600 mm	3890 kg	LMG 430
458 kWe	528 kWe	2900x1400x1600 mm	4050 kg	LMG 458
458 kWe	569 kWe	3000x1400x1600 mm	4100 kg	LMG 458
500 kWe	600 kWe	3100x1400x1600 mm	4150 kg	LMG 500
570 kWe	665 kWe	3300x1450x1650 mm	4900 kg	LMG 570
665 kWe	760 kWe	3450x1450x1650 mm	6390 kg	LMG 665

## IMO TIER III + SCR-SYSTEM

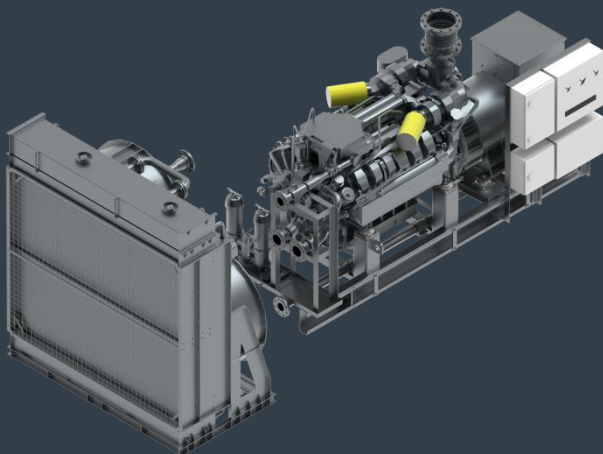
\* Ratings: Genset ratings depends on ambient conditions (Marine Standard 45°C) and alternator data. Subject to change without notice



Rating*		appr. Dimension	appr. Weight	LIAG Type
50Hz	60Hz	LxWxH		
175 kWe	175 kWe	2500x1100x1800 mm	2750 kg	LMB 175
195 kWe	195 kWe	2550x1100x1800 mm	2800 kg	LMB 195
240 kWe	240 kWe	2600x1100x1800 mm	2850 kg	LMB 240
240 kWe	290 kWe	2650x1100x1800 mm	2950 kg	LMB 240
290 kWe	335 kWe	3300x1350x1800 mm	3450 kg	LMB 290
335 kWe	385 kWe	3350x1350x1800 mm	3600 kg	LMB 335
385 kWe	385 kWe	3400x1350x1800 mm	3700 kg	LMB 385
375 kWe	425 kWe	3650x1400x1800 mm	4300 kg	LMB 375
405 kWe	475 kWe	3700x1400x1800 mm	4700 kg	LMB 405
430 kWe	520 kWe	3750x1400x1800 mm	4800 kg	LMB 430
445 kWe	550 kWe	3850x1400x1800 mm	4950 kg	LMB 445
575 kWe	690 kWe	4250x1850x1800 mm	5850 kg	LMB 575

### RADIATOR COOLED

\* Ratings: Genset ratings depends on ambient conditions (Marine Standard 45°C) and alternator data. Subject to change without notice



# WORLDWIDE SALES & SERVICE

MADE IN GERMANY 



TOTAL INSTALLED POWER **3700** MW



## Lindenberg-Anlagen GmbH

Hoffnungsthaler Str. 41  
DE 51491 Overath  
Germany

Phone:  
+49 (0) 2204 48103 0

Mail:  
[marine@liag.de](mailto:marine@liag.de)  
[energysolutions.asia@liag.de](mailto:energysolutions.asia@liag.de)

24h Hotline (Service & Parts)



[www.liag.de](http://www.liag.de)